

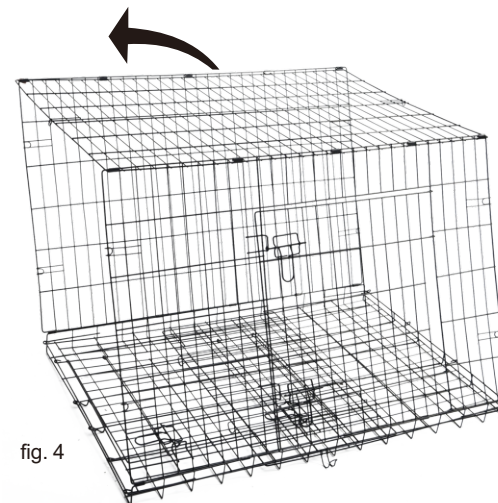
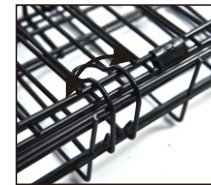
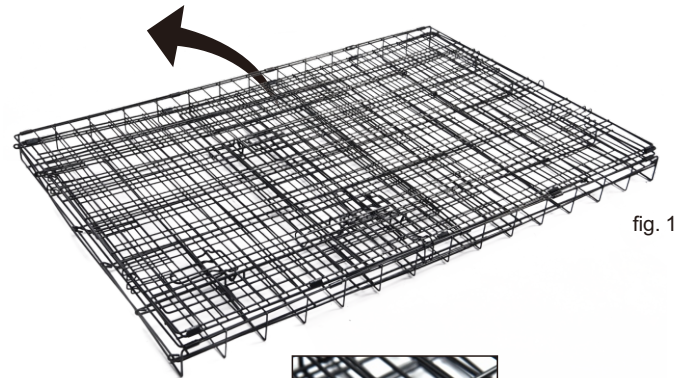
Pet Folding Crate

← Assembly Instructions - Please keep for future reference

Stage 1 - Assembling the Pet Crate



Keycode: 42756712
Size:106(W)x70(D)x76(H)CM



NOTE:

Assemble the frame carefully and loosen the sides and hinges as they can sometimes stick together during assembly. Do not use force as this can bend and damage the wire frame.

1. Open the clasp lock of the Pet Crate.
See fig. 1, 2 and 3.

IMPORTANT

1. Read these instructions carefully and familiarise yourself with the procedure before assembling the unit.
2. Ensure you have enough space to lay out all the parts before assembly.
3. To avoid scratching it is recommended that you assemble the unit on a soft level surface.

Care and Maintenance

Cleaning

As with all surfaces clean with a damp cloth and mild detergent, do not use bleach or abrasive products.

Fitting

From time to time please ensure there are no loose parts on the product.



IMPORTANT:

All corner locks and side wall latches need to be engaged and secured before placing pet inside crate.

2. Fold out the sides of the Pet Crate.
See fig. 4.

Assembly Instructions

Stage 1 - Assembling the Pet Crate

3. Lift the front part of the Pet Crate into an upright position and hold it there.

See fig. 5.

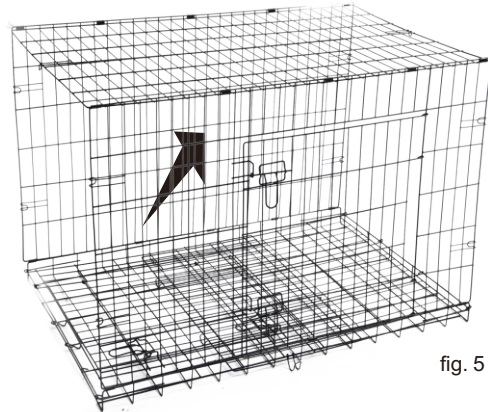


fig. 5

4. Lift the Right and Left Sides of the Pet Crate until it locks into position.

See fig. 6.

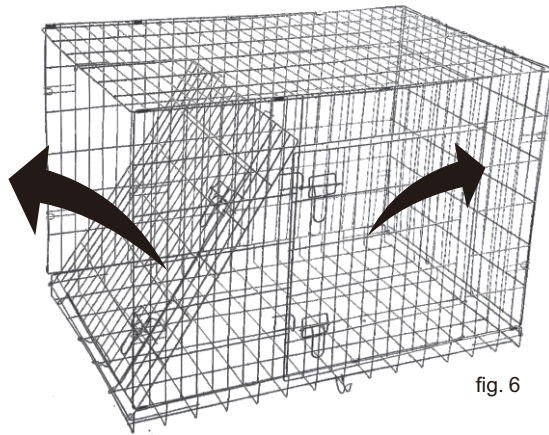


fig. 6

Lock position

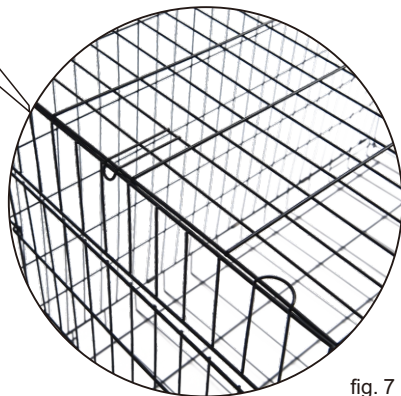


fig. 7

Assembly Instructions

Stage 2 - Operating the Door

NOTE: There are two doors and one tray opening on the pet crate. Ensure you lock after use.

Left Side Door

1. Slide open the Left Door Lock. Then open the Left Door. See fig. 8 and 9.

Front Door

2. Slide open the Front Door Lock. Then open the Front Door. See fig. 8 and 9.

Tray opening

3. Loosen the tray opening. Then pull and push the tray. See fig. 10 and 11.

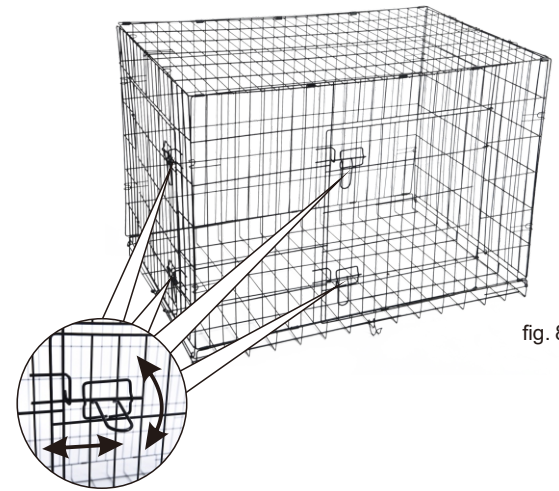


fig. 8

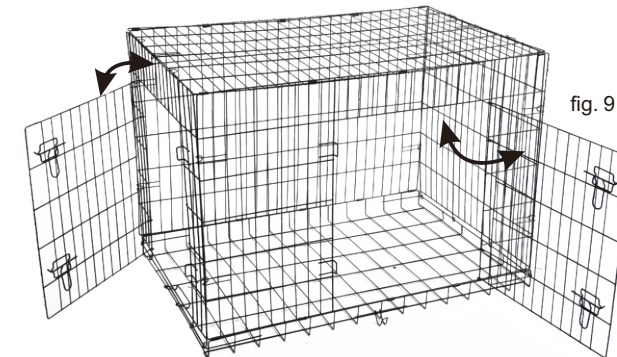


fig. 9

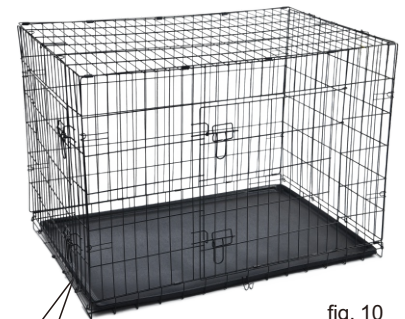


fig. 10



fig. 11